

**NEW  
PRODUCT**

# **ROOFCRAFT™**

**PERFECTVISION®**

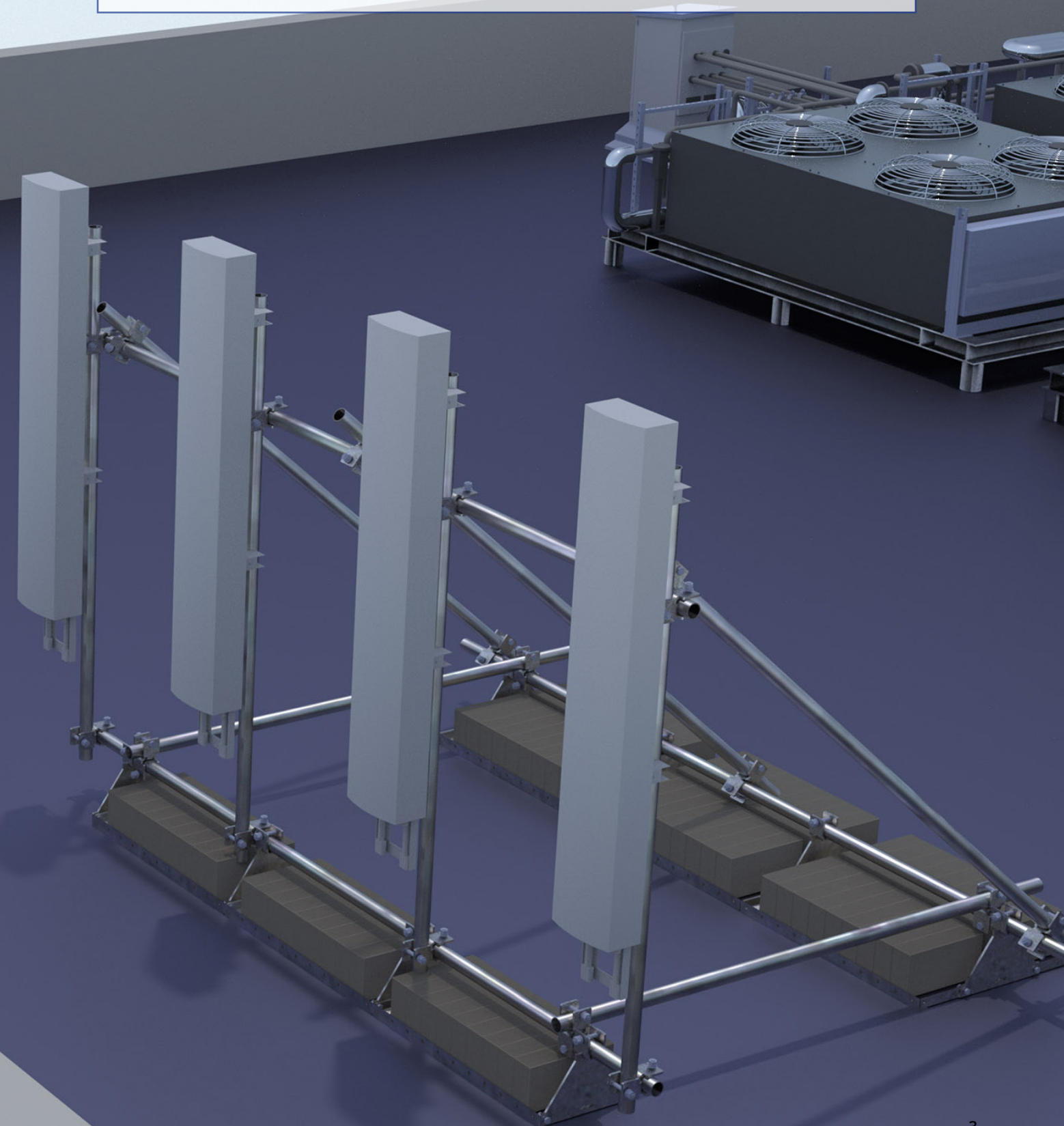
**NEW  
PRODUCT**

# ROOFCRAFT™

**A NEW SPIN ON D.I.Y. - DESIGN IT YOURSELF**

Roofcraft™ is a new take on conventional roof frame design. The system is a modular, component based system focused on empowering the A&E companies to design solutions to fit complex sites. Utilizing only a handful of components, tens of thousands of configurations can be created by using your imagination.

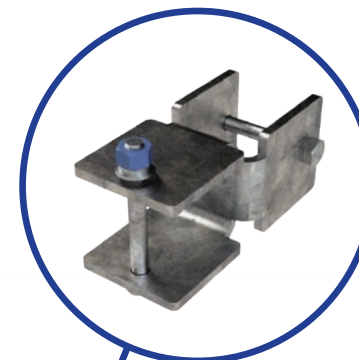
- ✓ Highly customizable - build virtually any configuration using standard pieces & parts
- ✓ Quick assembly - Minimal mechanical (bolted) connections
- ✓ Easily add ballast trays to disperse the load
- ✓ Configure 1, 2, 3, and 4 sector set-ups with ease
- ✓ Deploy your site with an off the shelf kit, or design your own configuration for more complex applications
- ✓ Allows you to create virtually endless runs by adding multiple together
- ✓ Custom spacing for antenna pipes on the face
- ✓ Low frame EPA
- ✓ Simple to construct
- ✓ Transports easily to site - good for elevator only access
- ✓ Excellent strength to weight ratio
- ✓ Achieve high antenna offsets with certain configurations



**NEW PRODUCT**

# ROOFCRAFT™

The system utilizes four main components for a single sector configuration. The first building blocks are the universal ballast trays which allow up to (9) 4 inch x 8 inch x 16 inch solid CMUs (concrete masonry units) per tray. The signature piece is PerfectVision's patented hybrid dual cross vertical piece that supports the horizontal base pipes. The other items required are simply pipe and dual cross kits. Ballast trays can be added nearly anywhere to spread ballast as needed to meet roof requirements. The system can be designed to also support multi-sector set-ups. Introducing a fifth component, a horizontal support rail corner bracket to connect each sector together.



**QUICK-CONNECT DUAL CROSS KITS**

Simpler, quicker installation than traditional crossover plates.

Installed with a single bolt on each mounting location.

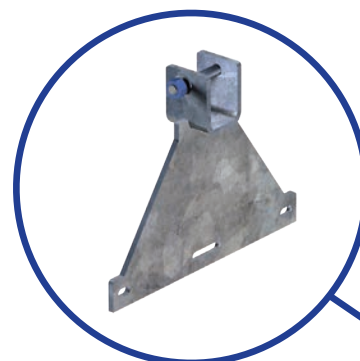
Force transfer across the two pipes is directly through the steel of the crossover, not the hardware.



**PIPE**

Standard Schedule 40 Galvanized Pipe.

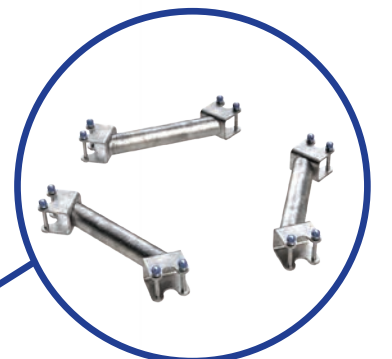
Customize lengths to fit any site requirements.



**PIPE ADAPTER WELDMENT**

Vertically connects base trays to pipe frame.

Ensure proper alignment of the frame.



**HORIZONTAL SUPPORT RAIL CORNER BRACKET**

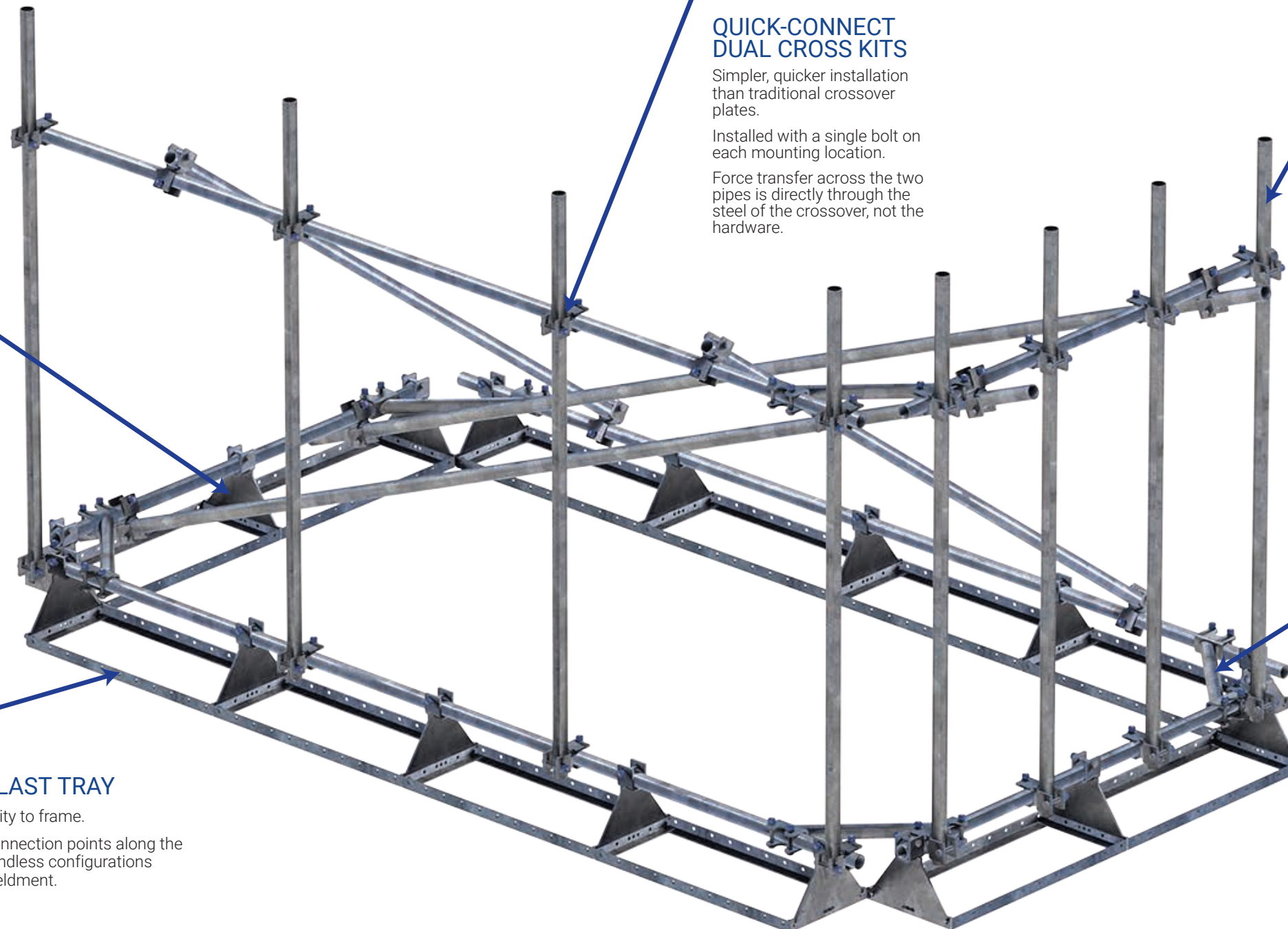
Allows connection between multiple sectors.



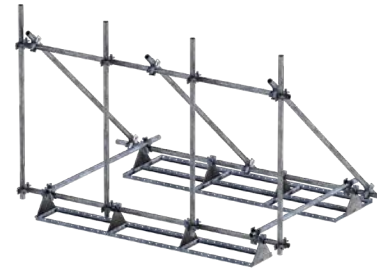
**WELDED BALLAST TRAY**

Provides extra stability to frame.

Features multiple connection points along the frame allowing for endless configurations with pipe adapter weldment.

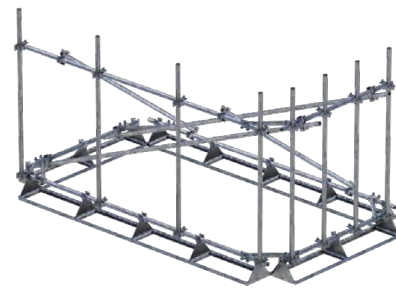


# PRE-KITTED



## SINGLE SECTOR

PART NUMBER	DESCRIPTION	FACE WIDTH	CONNECTION	ANTENNA PIPES
PV-RC1-F7X2-PC-AP1	Roofcraft, Single Sector, 7' x 2 3/8" Face	7'	Front-Rear Pipe Connection	(4) 2 3/8" X 96"
PV-RC1-F7X2-TC-AP1	Roofcraft, Single Sector, 7' x 2 3/8" Face	7'	Front-Rear Pipe Connection	(4) 2 3/8" X 96"
PV-RC1-F10X2-PC-AP1	Roofcraft, Single Sector, 10' 6" x 2 3/8" Face	10' 6"	Front-Rear Pipe Connection	(4) 2 3/8" X 96"
PV-RC1-F10X2-TC-AP1	Roofcraft, Single Sector, 10' 6" x 2 3/8" Face	10' 6"	Front-Rear Pipe Connection	(4) 2 3/8" X 96"
PV-RC1-F12X2-PC-AP1	Roofcraft, Single Sector, 12' 6" x 2 3/8" Face	12' 6"	Front-Rear Pipe Connection	(4) 2 3/8" X 96"
PV-RC1-F12X2-TC-AP1	Roofcraft, Single Sector, 12' 6" x 2 3/8" Face	12' 6"	Front-Rear Pipe Connection	(4) 2 3/8" X 96"
PV-RC1-F14X2-PC-AP1	Roofcraft, Single Sector, 14' 6" x 2 3/8" Face	14' 6"	Front-Rear Pipe Connection	(4) 2 3/8" X 96"
PV-RC1-F14X2-TC-AP1	Roofcraft, Single Sector, 14' 6" x 2 3/8" Face	14' 6"	Front-Rear Pipe Connection	(4) 2 3/8" X 96"



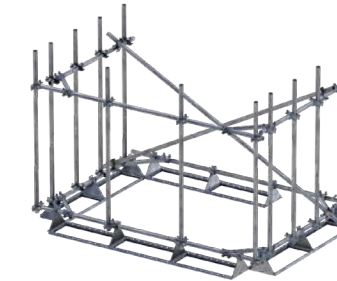
## DOUBLE SECTOR

PART NUMBER	DESCRIPTION	FACE WIDTH	CONNECTION	ANTENNA PIPES
PV-RC2-F7F7X2-AP1	Roofcraft, Dual Sector, 7' x 2 3/8" Face	7'	Front- Rear Tray Connection	(4) 2 3/8" X 96"
PV-RC2-F7F10X2-AP1	Roofcraft, Dual Sector, 10' 6" x 2 3/8" Face	10' 6"	Front- Rear Tray Connection	(4) 2 3/8" X 96"
PV-RC2-F7F12X2-AP1	Roofcraft, Dual Sector, 12' 6" x 2 3/8" Face	12' 6"	Front- Rear Tray Connection	(4) 2 3/8" X 96"
PV-RC2-F7F14X2-AP1	Roofcraft, Dual Sector, 14' 6" x 2 3/8" Face	14' 6"	Front- Rear Tray Connection	(4) 2 3/8" X 96"
PV-RC2-F10F10X2-AP1	Roofcraft, Dual Sector, 10' 6" x 2 3/8" Face	10' 6"	Front- Rear Tray Connection	(4) 2 3/8" X 96"
PV-RC2-F10F12X2-AP1	Roofcraft, Dual Sector, 12' 6" x 2 3/8" Face	12' 6"	Front- Rear Tray Connection	(4) 2 3/8" X 96"
PV-RC2-F10F14X2-AP1	Roofcraft, Dual Sector, 14' 6" x 2 3/8" Face	14' 6"	Front- Rear Tray Connection	(4) 2 3/8" X 96"
PV-RC2-F12F14X2-AP1	Roofcraft, Dual Sector, 14' 6" x 2 3/8" Face	14' 6"	Front- Rear Tray Connection	(4) 2 3/8" X 96"
PV-RC2-F14F14X2-AP1	Roofcraft, Dual Sector, 14' 6" x 2 3/8" Face	14' 6"	Front- Rear Tray Connection	(4) 2 3/8" X 96"



## TRIPLE SECTOR-TRIANGLE

PART NUMBER	DESCRIPTION	FACE WIDTH	CONNECTION	ANTENNA PIPES
PV-RC3T-F7X2-AP1	Roofcraft, Three Sector, Triangular, 7' x 2 3/8" Face	7'	Front- Rear Tray Connection	(4) 2 3/8" X 96"
PV-RC3T-F10X2-AP1	Roofcraft, Three Sector, Triangular, 10' 6" x 2 3/8" Face	10' 6"	Front- Rear Tray Connection	(4) 2 3/8" X 96"
PV-RC3T-F12X2-AP1	Roofcraft, Three Sector, Triangular, 12' 6" x 2 3/8" Face	12' 6"	Front- Rear Tray Connection	(4) 2 3/8" X 96"
PV-RC3T-F14X2-AP1	Roofcraft, Three Sector, Triangular, 14' 6" x 2 3/8" Face	14' 6"	Front- Rear Tray Connection	(4) 2 3/8" X 96"



## THREE SECTOR

PART NUMBER	DESCRIPTION	FACE WIDTH	CONNECTION	ANTENNA PIPES
PV-RC3-F7F7X2-AP1	Roofcraft, Three Sector, 7' Front Face, 7' Side Faces, 2 3/8" Face Pipe	7'	Front- Rear Tray Connection	(4) 2 3/8" X 96"
PV-RC3-F7F10X2-AP1	Roofcraft, Three Sector, 7' Front Face, 10' 6" Side Faces, 2 3/8" Face Pipe	7'	Front- Rear Tray Connection	(4) 2 3/8" X 96"
PV-RC3-F7F12X2-AP1	Roofcraft, Three Sector, 7' Front Face, 12' 6" Side Faces, 2 3/8" Face Pipe	7'	Front- Rear Tray Connection	(4) 2 3/8" X 96"
PV-RC3-F7F14X2-AP1	Roofcraft, Three Sector, 7' Front Face, 14' 6" Side Faces, 2 3/8" Face Pipe	7'	Front- Rear Tray Connection	(4) 2 3/8" X 96"
PV-RC3-F10F7X2-AP1	Roofcraft, Three Sector, 10' 6" Front Face, 7' Side Faces, 2 3/8" Face Pipe	10' 6"	Front- Rear Tray Connection	(4) 2 3/8" X 96"
PV-RC3-F10F10X2-AP1	Roofcraft, Three Sector, 10' 6" Front Face, 10' 6" Side Faces, 2 3/8" Face Pipe	10' 6"	Front- Rear Tray Connection	(4) 2 3/8" X 96"
PV-RC3-F10F12X2-AP1	Roofcraft, Three Sector, 10' 6" Front Face, 12' 6" Side Faces, 2 3/8" Face Pipe	10' 6"	Front- Rear Tray Connection	(4) 2 3/8" X 96"
PV-RC3-F10F14X2-AP1	Roofcraft, Three Sector, 10' 6" Front Face, 14' 6" Side Faces, 2 3/8" Face Pipe	10' 6"	Front- Rear Tray Connection	(4) 2 3/8" X 96"
PV-RC3-F12F7X2-AP1	Roofcraft, Three Sector, 12' 6" Front Face, 7' Side Faces, 2 3/8" Face Pipe	12' 6"	Front- Rear Tray Connection	(4) 2 3/8" X 96"
PV-RC3-F12F10X2-AP1	Roofcraft, Three Sector, 12' 6" Front Face, 10' 6" Side Faces, 2 3/8" Face Pipe	12' 6"	Front- Rear Tray Connection	(4) 2 3/8" X 96"
PV-RC3-F12F12X2-AP1	Roofcraft, Three Sector, 12' 6" Front Face, 12' 6" Side Faces, 2 3/8" Face Pipe	12' 6"	Front- Rear Tray Connection	(4) 2 3/8" X 96"
PV-RC3-F12F14X2-AP1	Roofcraft, Three Sector, 12' 6" Front Face, 14' 6" Side Faces, 2 3/8" Face Pipe	12' 6"	Front- Rear Tray Connection	(4) 2 3/8" X 96"
PV-RC3-F14F7X2-AP1	Roofcraft, Three Sector, 14' 6" Front Face, 7' Side Faces, 2 3/8" Face Pipe	14' 6"	Front- Rear Tray Connection	(4) 2 3/8" X 96"
PV-RC3-F14F10X2-AP1	Roofcraft, Three Sector, 14' 6" Front Face, 10' 6" Side Faces, 2 3/8" Face Pipe	14' 6"	Front- Rear Tray Connection	(4) 2 3/8" X 96"
PV-RC3-F14F12X2-AP1	Roofcraft, Three Sector, 14' 6" Front Face, 12' 6" Side Faces, 2 3/8" Face Pipe	14' 6"	Front- Rear Tray Connection	(4) 2 3/8" X 96"
PV-RC3-F14F14X2-AP1	Roofcraft, Three Sector, 14' 6" Front Face, 14' 6" Side Faces, 2 3/8" Face Pipe	14' 6"	Front- Rear Tray Connection	(4) 2 3/8" X 96"



## FOUR SECTOR

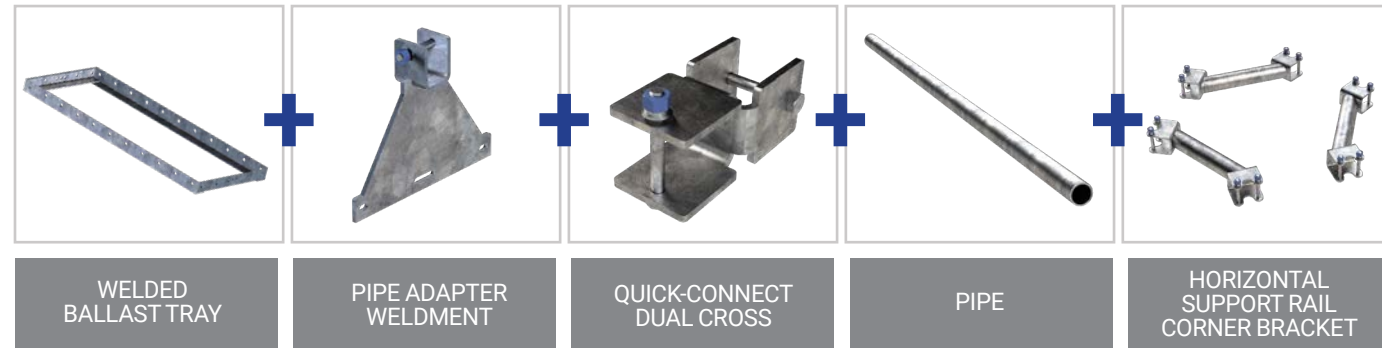
PART NUMBER	DESCRIPTION	FACE WIDTH	CONNECTION	ANTENNA PIPES
PV-RC4-F7F7X2-AP1	Roofcraft, Dual Sector, 7' Face x 7' Face, 2 3/8" Face Pipe	7'	Front- Rear Tray Connection	(4) 2 3/8" X 96"
PV-RC4-F7F10X2-AP1	Roofcraft, Dual Sector, 7' Face x 10' 6" Face, 2 3/8" Face Pipe	7'	Front- Rear Tray Connection	(4) 2 3/8" X 96"
PV-RC4-F7F12X2-AP1	Roofcraft, Dual Sector, 7' Face x 12' 6" Face, 2 3/8" Face Pipe	7'	Front- Rear Tray Connection	(4) 2 3/8" X 96"
PV-RC4-F7F14X2-AP1	Roofcraft, Dual Sector, 7' Face x 14' 6" Face, 2 3/8" Face Pipe	7'	Front- Rear Tray Connection	(4) 2 3/8" X 96"
PV-RC4-F10F10X2-AP1	Roofcraft, Dual Sector, 10' 6" Face x 10' 6" Face, 2 3/8" Face Pipe	10' 6"	Front- Rear Tray Connection	(4) 2 3/8" X 96"
PV-RC4-F10F12X2-AP1	Roofcraft, Dual Sector, 10' 6" Face x 12' 6" Face, 2 3/8" Face Pipe	10' 6"	Front- Rear Tray Connection	(4) 2 3/8" X 96"
PV-RC4-F10F14X2-AP1	Roofcraft, Dual Sector, 10' 6" Face x 14' 6" Face, 2 3/8" Face Pipe	10' 6"	Front- Rear Tray Connection	(4) 2 3/8" X 96"
PV-RC4-F12F14X2-AP1	Roofcraft, Dual Sector, 12' 6" Face x 14' 6" Face, 2 3/8" Face Pipe	12' 6"	Front- Rear Tray Connection	(4) 2 3/8" X 96"
PV-RC4-F14F14X2-AP1	Roofcraft, Dual Sector, 14' 6" Face x 14' 6" Face, 2 3/8" Face Pipe	14' 6"	Front- Rear Tray Connection	(4) 2 3/8" X 96"



PART NUMBER	DESCRIPTION
PV-RC-RRH	Roofcraft, RRH Rack

# BUILD YOUR OWN SYSTEM

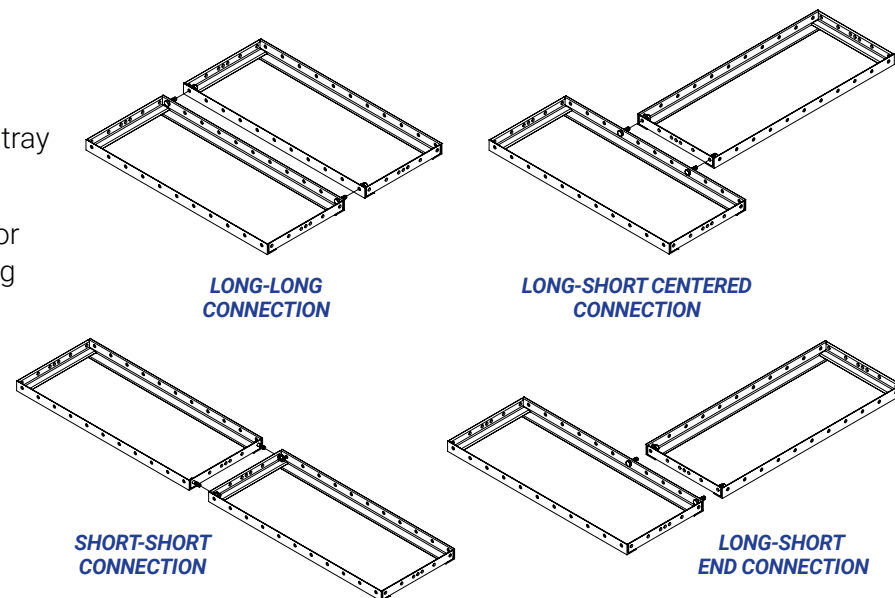
Roofcraft's completely modular design allows you the freedom to build customized frames to accommodate nearly every site. Build any configuration simply using five main components.



- ✓ Welded ballast trays create the base foundation for the Roofcraft Mount. Select as many welded ballast trays as needed to accommodate appropriate loading. (300 pounds available ballast per tray)
- ✓ Pipe adapter weldment connects the welded ballast trays and horizontal pipe frames. Signature triangular design creates the strength and stability in the base of the frame.
- ✓ Quick-connect dual cross offers simple quick installation with its single bolt design.
- ✓ One key advantage of the Roofcraft design is that it's largely comprised of round members, offering reduced EPAs as compared to angle face designs. Easily customize lengths to fit any site requirement.
- ✓ Horizontal support rail corner bracket allows connection between multiple sectors.

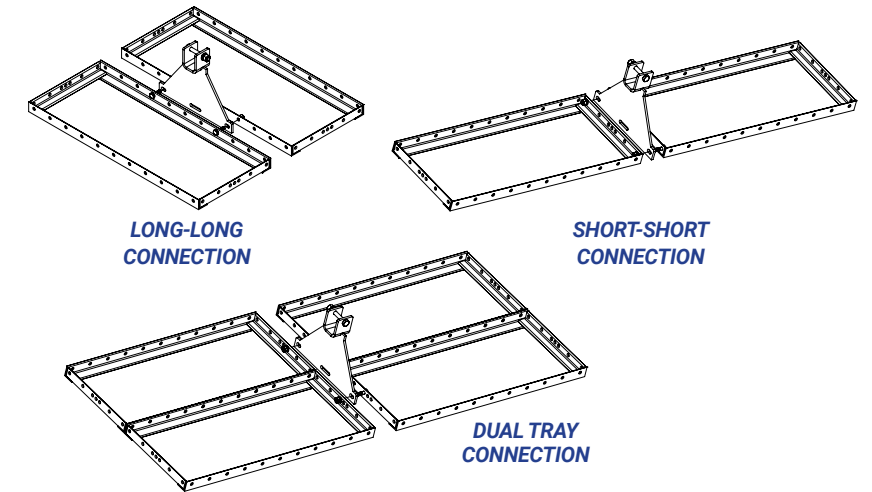
## BALLAST TRAY PV-RC-TRAY:

- 17 inches x 40 inches
- 300 pounds available ballast per tray [ (9) 4x8x16 Solid CMU ]
- Trays can be connected parallel or perpendicular to each other, along both short and long edges.



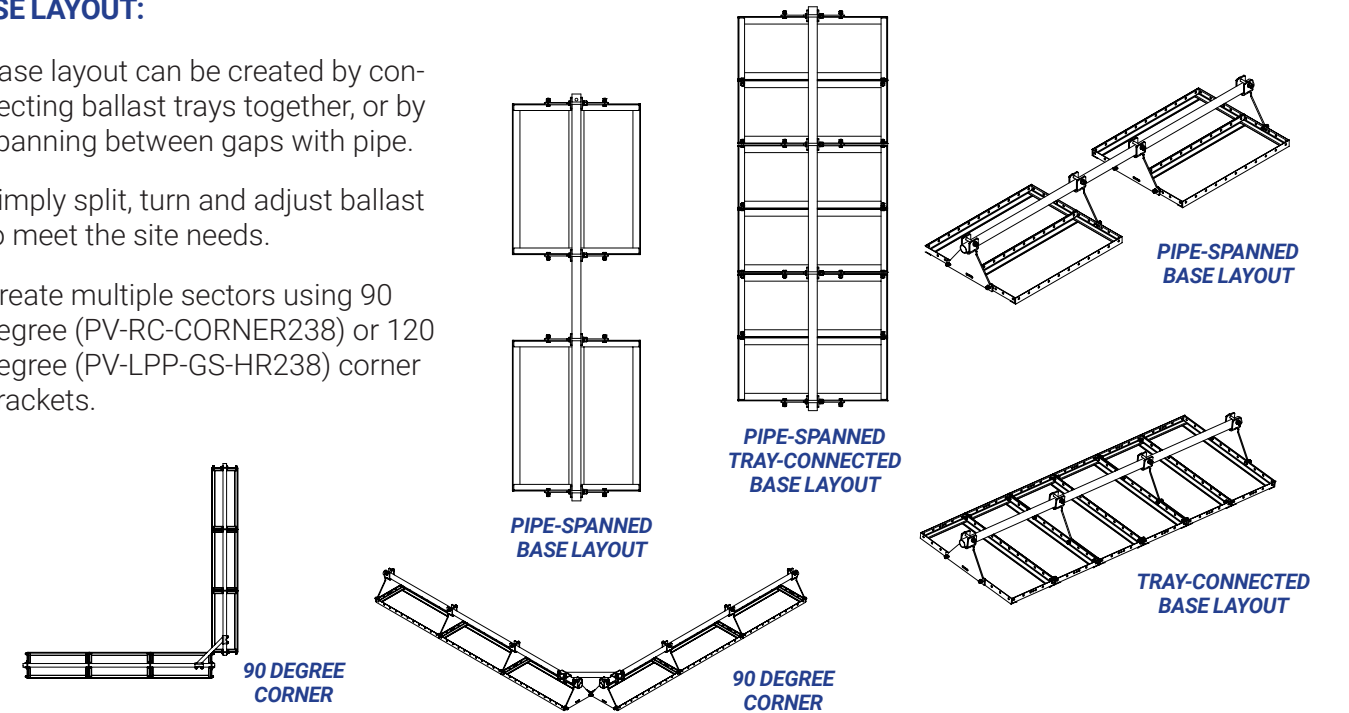
## VERTICAL PV-RC-VERT###:

- Forms the connection between the ballast trays and the horizontal face pipe
- Standard configuration uses 2 3/8 inch OD face pipe.
- Verts can be connected to the trays along either side, or they can span between dual trays.



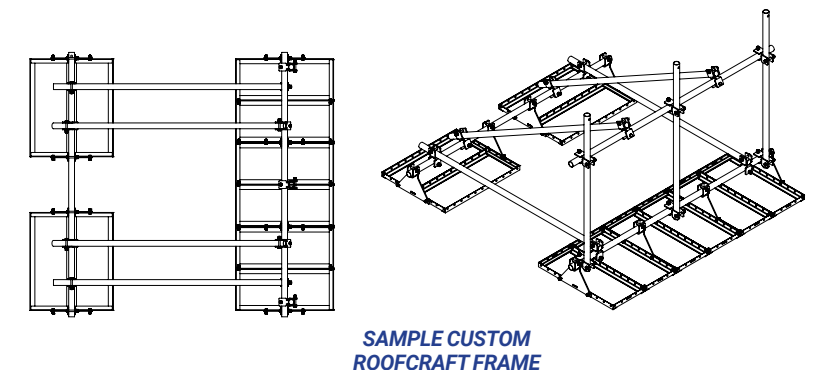
## BASE LAYOUT:

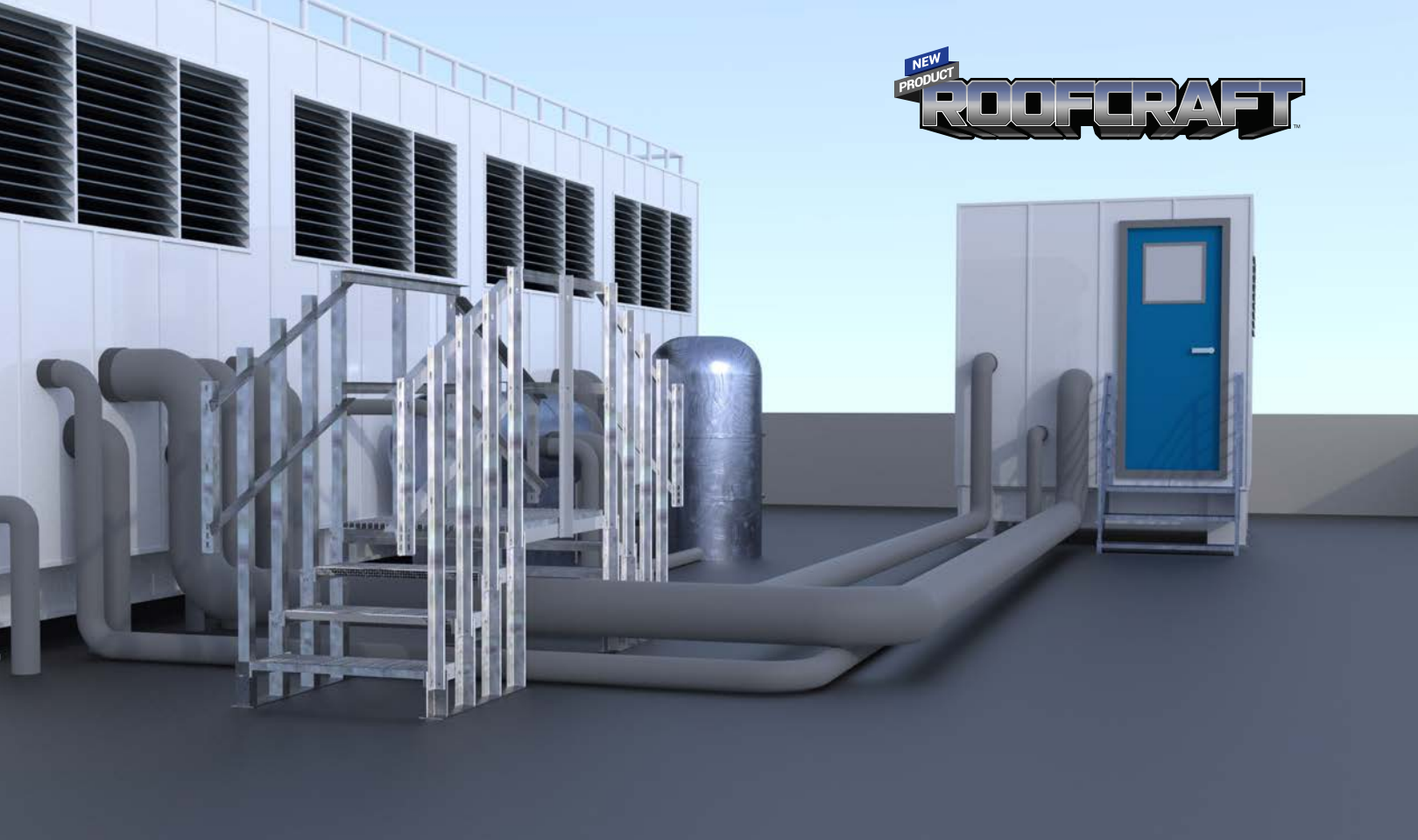
- Base layout can be created by connecting ballast trays together, or by spanning between gaps with pipe.
- Simply split, turn and adjust ballast to meet the site needs.
- Create multiple sectors using 90 degree (PV-RC-CORNER238) or 120 degree (PV-LPP-GS-HR238) corner brackets.



## FRAME CONSTRUCTION:

- Add vertical, horizontal, and diagonal pipes as required. Standard configuration uses 2 3/8 inch OD pipes. (PIPE-238X###)
- Connect pipes using PV-XP-DC-#### dual cross brackets.





## BUILD YOUR ROOFTOP WITH PERFECTVISION

PerfectVision carries a full line of in stock mounting applications and accessories to support your entire rooftop deployment.

- Cable Accessories
- Cable Tray
- Cable Tray Bonding Jumpers
- Wall Mounts
- Tripods
- MagTray
- Rubber Mats
- Grounding & Lightning Protection
- Entry Panels & Boots
- Doghouse
- Jumpers
- Coax
- Weatherproofing
- Hardware

**IN STOCK**

**PERFECTVISION IS A FULL SOLUTIONS PROVIDER  
CONTACT US TODAY | 844.877.6723**

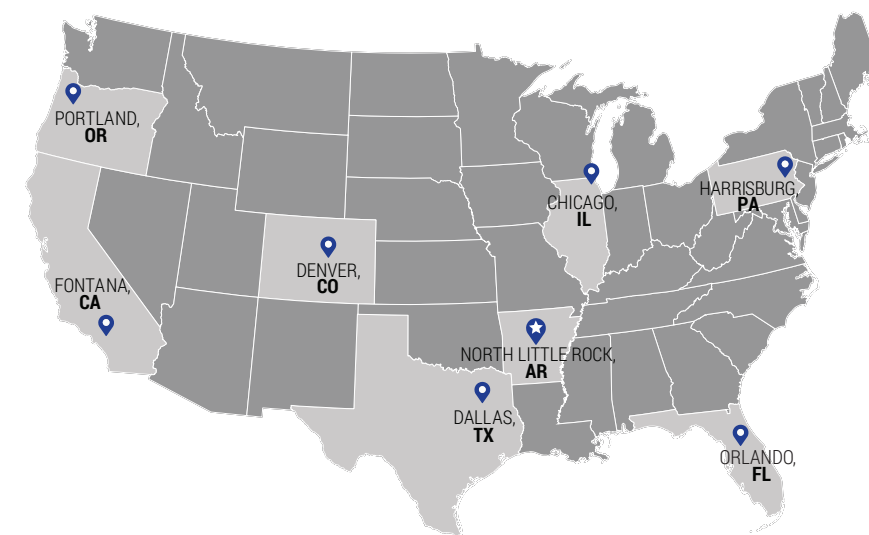


## DISTRIBUTION CENTERS

PerfectVision provides top-quality products, leading edge support, and Legendary Customer Service.



PerfectVision is comprised of eight strategically located distribution centers allowing us to provide next day delivery to 90% of the continental U.S.



★ **NORTH LITTLE ROCK, AR**  
3901 Progress Street  
North Little Rock, AR 72114

**STEEL MANUFACTURING**  
11611 E. 51st Avenue  
Denver, CO 80239

**DALLAS, TX**  
921 W Bethel Rd,  
Suite 215  
Dallas, TX 75019

**PORTLAND, OR**  
16785 NE Mason Street,  
Suite B  
Portland, OR 97230

**ORLANDO, FL**  
2507 Investors Row,  
Suite 200  
Orlando, FL 32837

**CHICAGO, IL**  
1 Gateway Court,  
Suite AA  
Bolingbrook, IL 60440

**FONTANA, CA**  
10837-A Commerce Way  
Fontana, CA 92337

**HARRISBURG, PA**  
2810 Turnpike Industrial Drive  
Middletown, PA 17057



As a company we average over 1,500 shipments everyday



Each of our facilities excels in site kitting, assembly, picking & packing



**PERFECTVISION®**

16101 La Grande Drive | Little Rock, AR 72223  
[www.perfect-vision.com](http://www.perfect-vision.com) | 844.877.6723